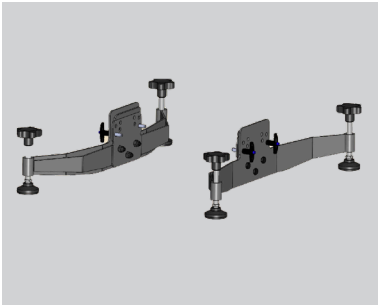


KGEAR
Smart Audio Solutions

ACCESSORIES LIST

ACCESSORIES LIST

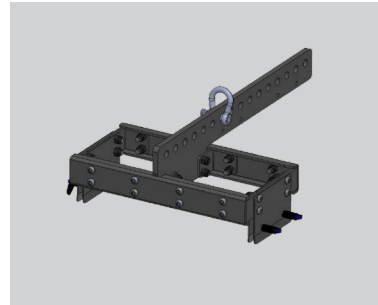


Code:

GH-BASE

Stacking hardware for up to 2 GH412 / 8 GH12

Availability: June

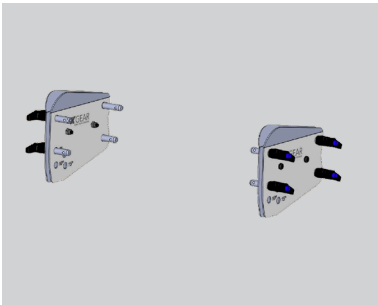


Code:

GH-FLY

Fly bar for GH12/GH412

Available: June



Code:

GH-JOINT

2 ears 4 pins set for GH12 / GH412

Available: April

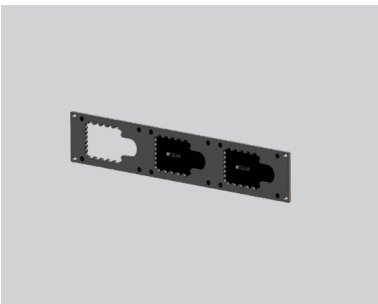


Code:

GF-WALL

Wall mount bracket for GF22 / GF82

Available: April

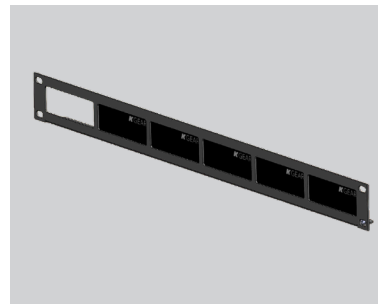


Code:

G-RACK

Rackmount panel for up to 3 GA43/43L
GA46/46L

Available: May



Code:

G-RACKMINI

Rackmount panel for up to 6 GA201

Available: May



Code:

GP8A-BAGS

Bag + cover set w / KGEAR logo for GP8A

Available: June



Code:

GS18-COVER

Cover for GS18 w / KGEAR logo

Available: June



Code:

GS218-COVER

Cover for GS218 w / KGEAR logo

Available: June