



Description

The Lyzard-KZ1 I is an ultra-mini point source speaker in the smallest K-array's mid-high speaker range. With a very small, ultra-resistant milled aluminum enclosure measuring 2.2 x 3.7 x 1.1 cm and a weight of only 21 g, and a single 0.5" long-excursion neodymium magnet transducer, the Lyzard-KZ1 maintains uncompromising audio performance with minimal residual noise, despite its discrete dimensions. This makes the Lyzard series the best solution for situations where audio technology must be kept hidden in the environment and decor.

With a horizontal and vertical coverage of 140° and a frequency response from 500 Hz up to 18kHz, the KZ1 I has clear audio reproduction and excellent intelligibility, with a peak SPL of 86 dB, an impressive performance for such a tiny speaker.

To complete the frequency range of your audio systems, the Lyzards must be combined with one or more Truffle or Rumble subwoofers, driven by a Kommander amplifier.

All Lyzard loudspeakers can be customized with any RAL color painting or can come in different premium finishes that enhance their metallic nature. The most luxurious finishes are polished aluminum, 24K gold, rose gold, or antique gold plating, which can be customized on request.

The front of the loudspeaker's tiny cabinet is protected by a magnet grill that can be removed with a small neodymium magnet included in the package. The real panel incorporates a small two-pole screw euro-block connector, so no specific connector is needed.

The Lyzard KZ1 I is the perfect products to integrate audio in retail, small lounges and bars, home residences, hotels, and museums, leaving both your eyes fulfilled and your ears satisfied with their unique and sleek design.

All Lyzard KZ1 I components are designed by the K-array R&D department and are custom-made under the K-array quality control system in Italy.

The main product models and codes are:

KZ1 I black model

KZ1W I white model

KZ1X custom and premium finish models

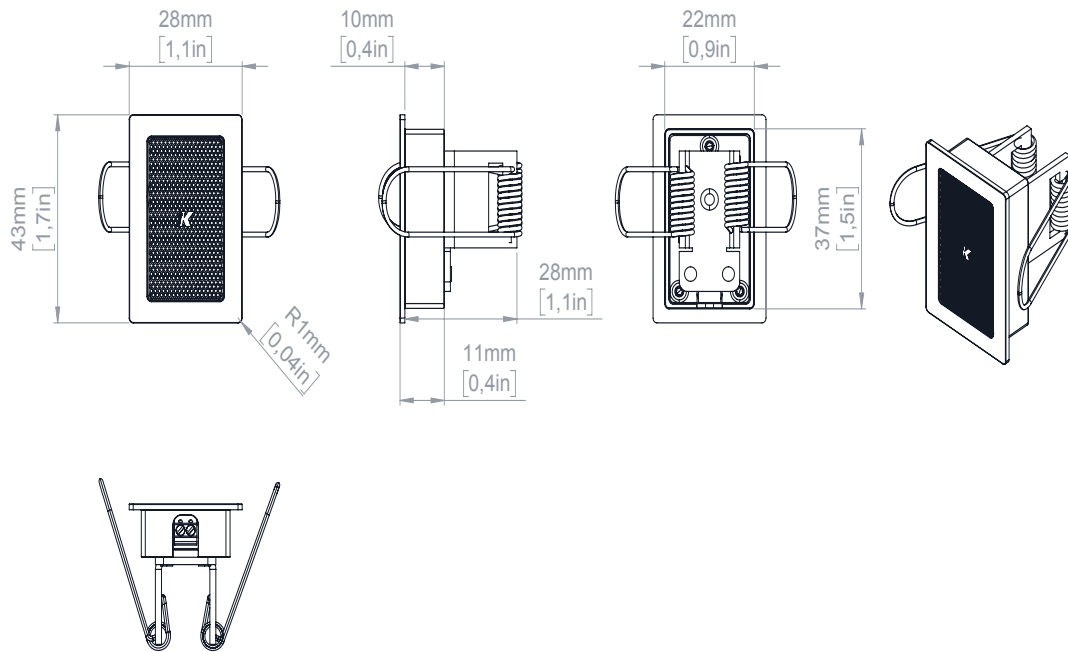
Technical specifications	
Type	point source
Transducers	0.5" Neodymium magnet woofer
Frequency Response ¹	500 Hz - 18 kHz (-6 dB)
Max SPL ²	86 dB peak
Coverage	V. 140° H. 140°
Nominal Impedance	16 Ω
Power Handling	3.5 W
Connectors	IN + IN- screw terminals

Handling & Finishes	
Material	Aluminum
Colors	Black, White, Custom RAL
IP Rating	IP64
Dimensions (WxHxD)	22 x 37 x 11 mm (0.9 x 1.5 x 0.4 in)
Finishes	24K Gold, Antique Gold, Rose Gold, Polished Steel
Weight	0.021 kg (0.04 lb)

¹ With dedicated preset.

² Maximum SPL is calculated using a signal with crest factor 4 (12dB) measured at 8 m then scaled at 1 m.

Lizard-KZ1R1



Lizard-KZ1R1

Notes:

Passive loudspeakers require dedicated presets loaded onboard K-array amplifiers.
New materials and designs are introduced into existing products without previous notice.
Present systems may differ in some respects from those presented in this catalog.

