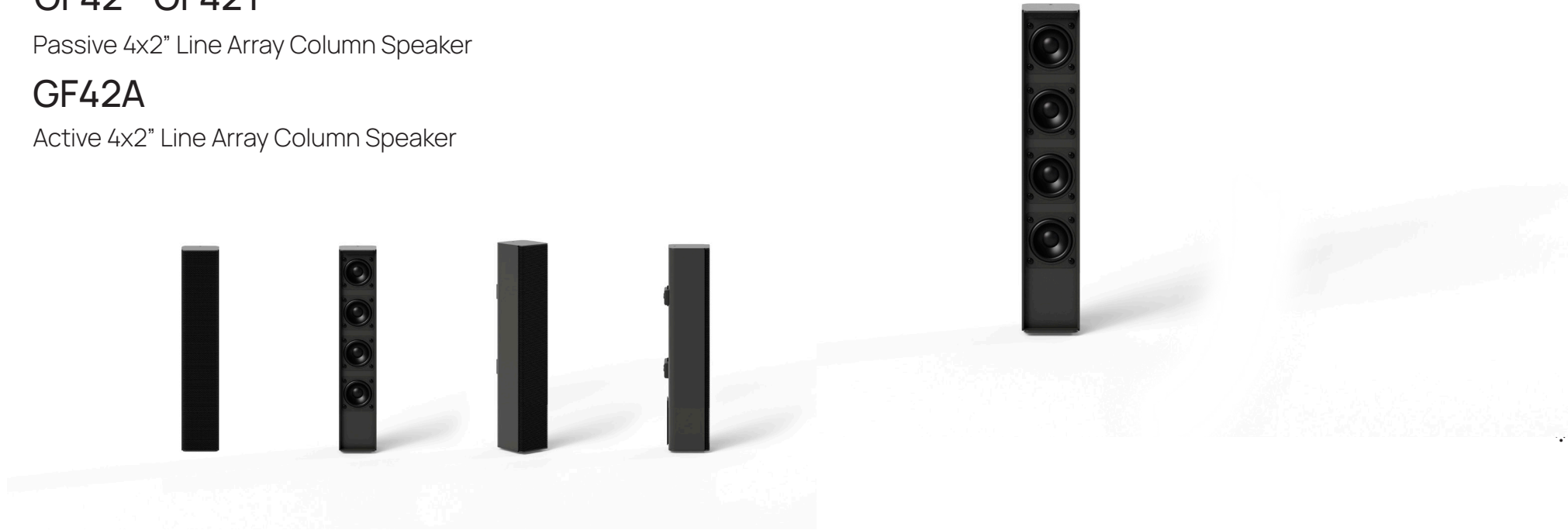


GF42 - GF42T

Passive 4x2" Line Array Column Speaker

GF42A

Active 4x2" Line Array Column Speaker



GF42, GF42T, GF42A are the smallest and minimalist line array passive elements of the GF family. GF42 comes in a practical and compact column format and resistant frame.

Here, the classic line array characteristics and PAT (Pure Array Technology) by K-array are compressed in a little unit. GF42 consists of 4x2" ferrite magnet woofers closely-spaced into a recycled ABS enclosure, with long throw and optimized dispersion control, thought to be installed permanently both indoors and outdoors thanks to an IP56 rating (*G-IPCAP1 or G-IPCAP2 accessory required).

With a wide frequency response from 160 Hz up to 20kHz and a coverage of 25° V. and 90° H. GF42 is the perfect solution for speech and music reproduction, with definition and intelligibility, especially for its directivity and its narrow dispersion angle.

With a 8Ω / 32Ω selectable impedance, it's easy to connect in parallel with other GF42 elements or other speakers from the GF family to make a longer array, or distribute more speakers throughout the entire space. To expand the frequency range to bass and sub frequencies, it must be combined with KGEAR matched subwoofers.

Like any other passive speaker, GF42 must be driven by a KGEAR recommended amplifier module.

GF42T has the same features as GF42 except for an internal transformer able to match different values of power handled at high impedance driven by one of our GA series amplifiers, at 70V or 100V: 2/4/8/16 @ 70 V or 1/2/4/8 @ 100 V.

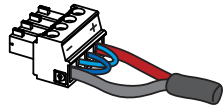
This selector makes it easy to connect a large number of speakers in parallel with high power and efficiency and setting different output levels, adapting to every kind of space and use.

GF42A is the active version of GF42, with 2x Phoenix connectors (4-pin Euroblock) hosting and a balanced line input, a mute contact and an auto ON-OFF switch with 3 steps selectable thresholds, plus a power output to connect another KGEAR speaker or passive subwoofer from KGEAR series and drive them with its onboard amplifier, with a minimum load of 4 Ω.

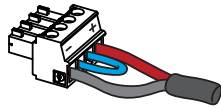
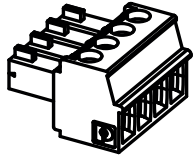
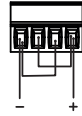
GF42 comes with 2x practical on-wall mounting brackets with dedicated screws included, to provide different angles for fixed installations.

Impedance selection GF42 - GF42A

MC 1,5/ 4-ST-3,81



8Ω Low-Z

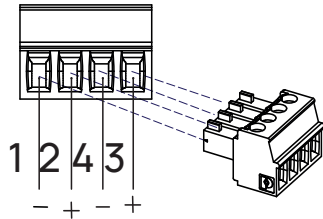


32Ω High-Z

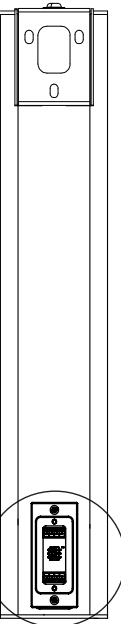
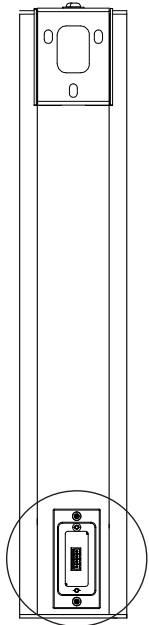


GF42 - passive speaker with Euroblock connector (4-pin)

Fig.1



GF42 passive line array column comes with a 1x Phoenix connector (4-pin Euroblock) (fig.1) with input signal configuration shown in the picture.



GF42A - Active speaker with on board amplifier, standby dip switch with selectable thresholds (dBu)

GF42A is the active version of GF42, and it features 2 Phoenix connectors (4-pin Euroblock) that host a balanced line input, a mute contact, and an auto ON/OFF switch with selectable thresholds. Additionally, it has a power output that allows you to connect another KGEAR speaker or passive subwoofer from the KGEAR series and drive them with its onboard amplifier, with a minimum load of 4 Ω.

The dip switch controls the auto-standby mode of the speaker and can be set to 3 different thresholds depending on your needs. Please see the manual to more information about settings.

- DIP - SWITCH All Off - Always ON (ON)
- Switch LOW ON - 52 dBu
- Switch LOW + MID ON - 46 dBu
- Switch LOW + MID + HIGH ON - 42 dBu
- STANDBY mode after ca. 10s of inactivity

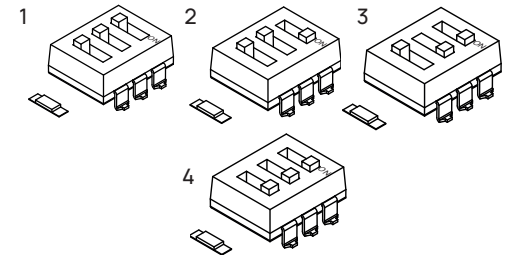
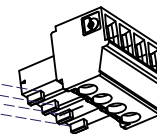
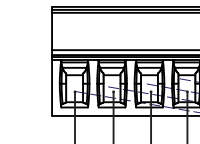
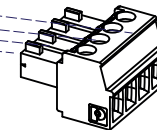
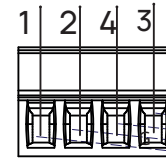


Fig.2

MUTE L+ L- GND

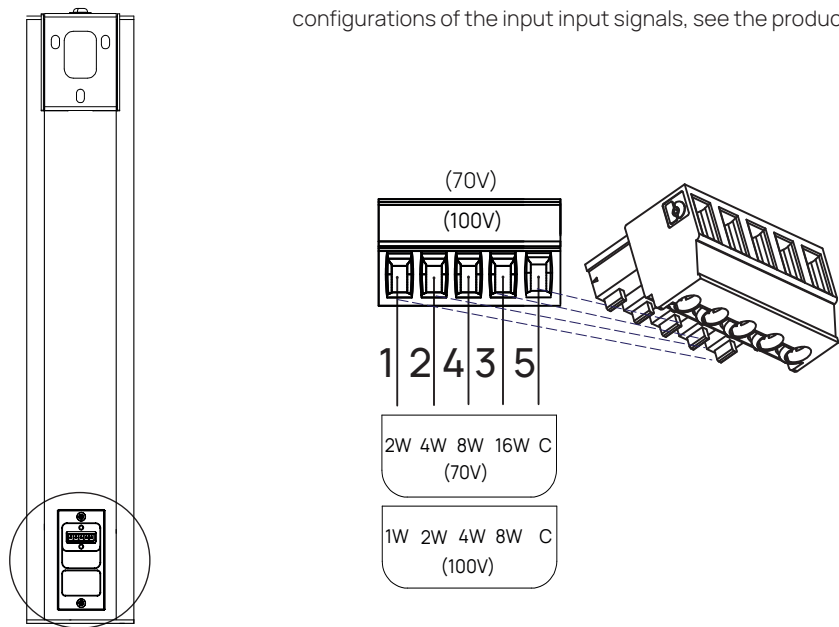


VCC GND OUT1+ OUT2-

GF42T - passive speaker with transformer / selector for different input signals (W)

Fig.3

GF42T has the feature of an internal transformer able to match different values of power handled at high impedance driven by one of our GA series amplifiers, at 70V or 100V: 2/4/8/16 W @ 70 V or 1/2/14/8 W @ 100 V. For more information about configurations of the input input signals, see the product's manual.

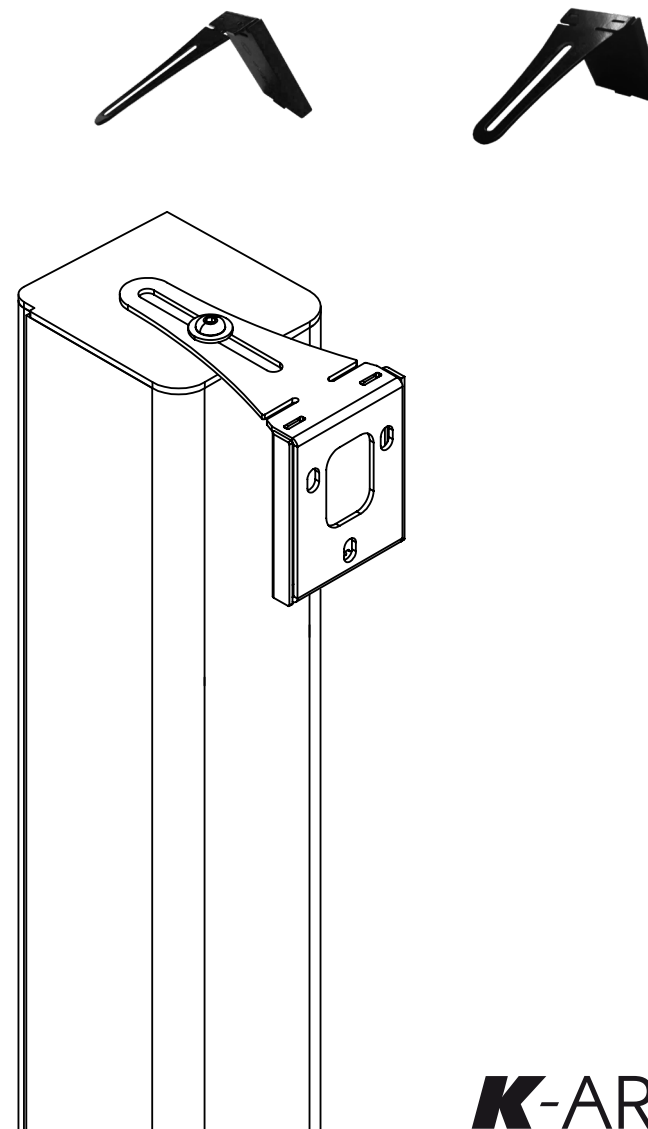


G-IPCAP1 - G-IPCAP2 (not included)



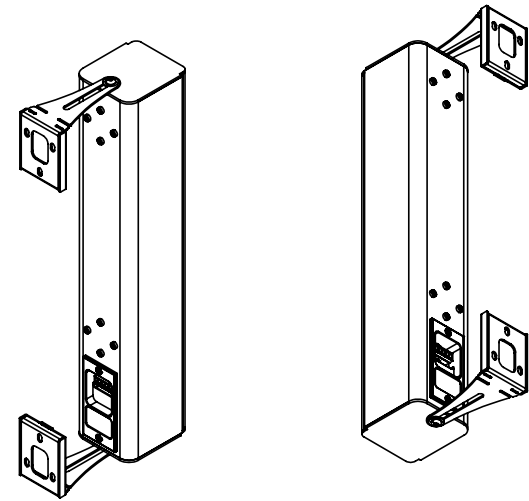
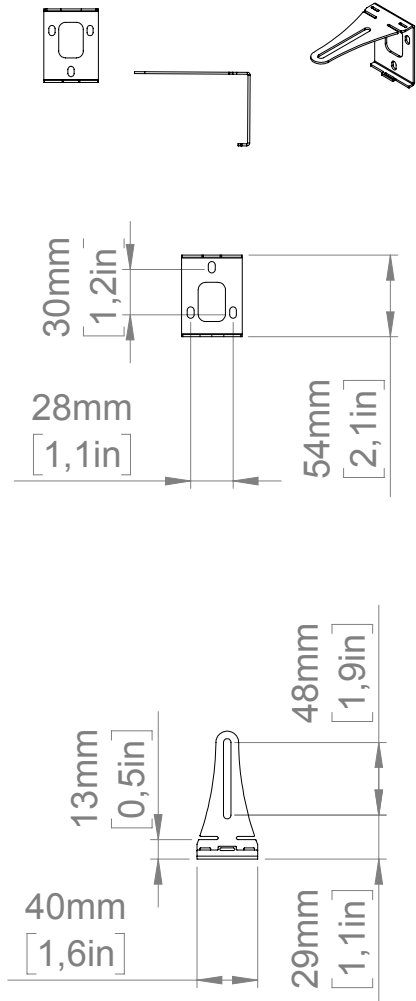
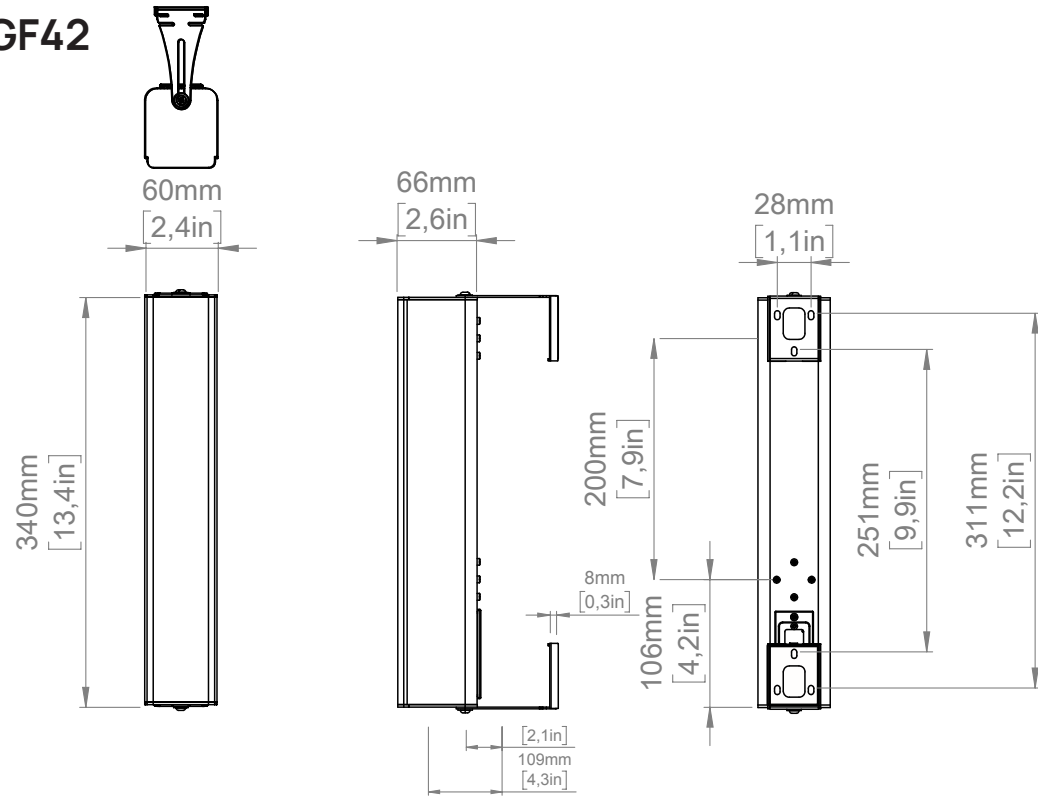
On-wall mounting bracket (included in the box)

GF42 comes with 2x practicals on-wall mounting brackets with dedicated screws included, to provide different angles for fixed installations.

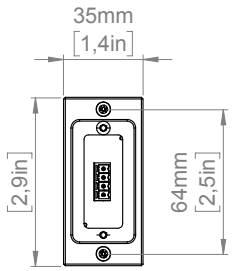


Mechanical Drawings

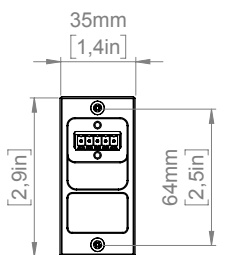
GF42



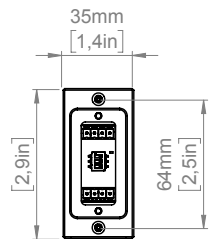
GF42



GF42T



GF42A



GF42

Frequent Applications	
Event Productions	Retails. Restaurants
Conference Rooms	Houses of Worship
Transportation	Broadcast

General	
Type	Passive line array column speaker
Transducers	4x2" ferrite magnet woofer
Frequency Response	160 Hz - 20 kHz (-6 dB)
Max SPL ¹	111 dB (peak)
Power Handling	100 W
Nominal Impedance	8 Ω / 32 Ω selectable
Connector	Phoenix connector (4-pin euroblock)
Coverage	V. 25° H. 90°
Dimensions (WxHxD)	60 x 300 x 72 mm (2,36 x 11,81 x 2,83 in)
Weight	0,8 kg (1,76 lb)
Material	ABS
IP rating	IP56 (G-IPCAP1 accessory req.)
Color	Black - GF42 / White - GF42W

¹ Maximum SPL is calculated using a signal with crest factor 4 (12dB) measured at 1 m.

GF42A

Frequent Applications	
Event Productions	Bars, Lounges
Conference Rooms	Houses of Worship
Transportation	Music Events

General	
Type	Active line array column speaker
Transducers	4x2" ferrite magnet woofer
Frequency Response	160 Hz - 20 kHz (-6 dB)
Max SPL ¹	108 dB
Power Handling	25 W 50 W peak
Nominal Impedance	8 Ω / 32 Ω selectable
Connector	Euroblock 4pin Balanced Line Input Mute contact Power Out 24V DC Auto On-Off with select. thresholds
Coverage	V. 25° H. 90°
Dimensions (WxHxD)	60 x 300 x 72 mm (2,36 x 11,81 x 2,83 in)
Weight	0,8 kg (1,76 lb)
Material	ABS
IP rating	IP56 (G-IPCAP1 accessory req.)
Color	Black - GF42 / White - GF42W

¹ Maximum SPL is calculated using a signal with crest factor 4 (12dB) measured at 1 m.

GF42T

Frequent Applications	
Event Productions	Bars, Lounges
Conference Rooms	Houses of Worship
Transportation	Music Events

General	
Type	Passive line array column speaker with transformer
Transducers	4x2" ferrite magnet woofer
Frequency Response	160 Hz - 20 kHz (-6 dB)
Max SPL ¹	111 dB (peak)
Power Handling	2/4/8/16W @ 100 V 1/2/4/8W @ 70 V
Nominal Impedance	/
Connector	5-pin euroblock connector
Coverage	V. 25° H. 90°
Dimensions (WxHxD)	60 x 300 x 72 mm (2,36 x 11,81 x 2,83 in)
Weight	1,3 kg (2,87 lb)
Material	ABS
IP rating	IP56 (G-IPCAP1 accessory req.)
Color	Black - GF42 / White - GF42W

¹ Maximum SPL is calculated using a signal with crest factor 4 (12dB) measured at 1 m.