

GH4 - GH4A

4" High Performance Full Range Speaker - Mini Array Element - Passive or Active



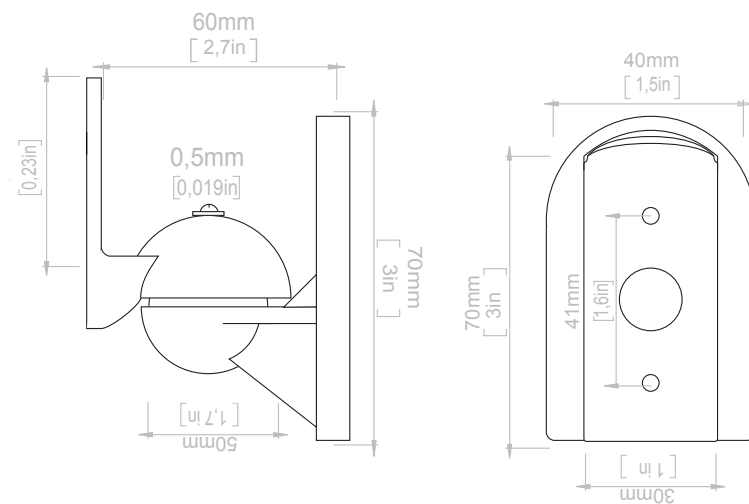
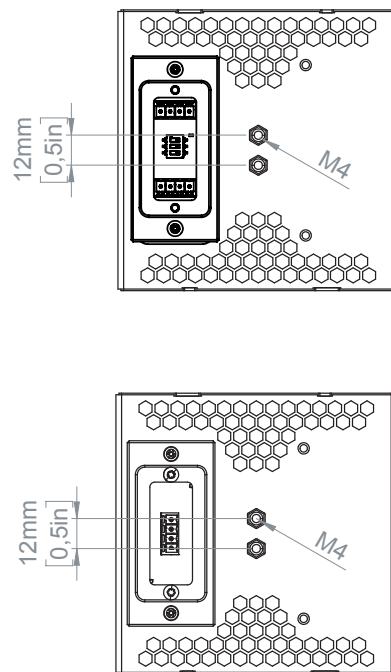
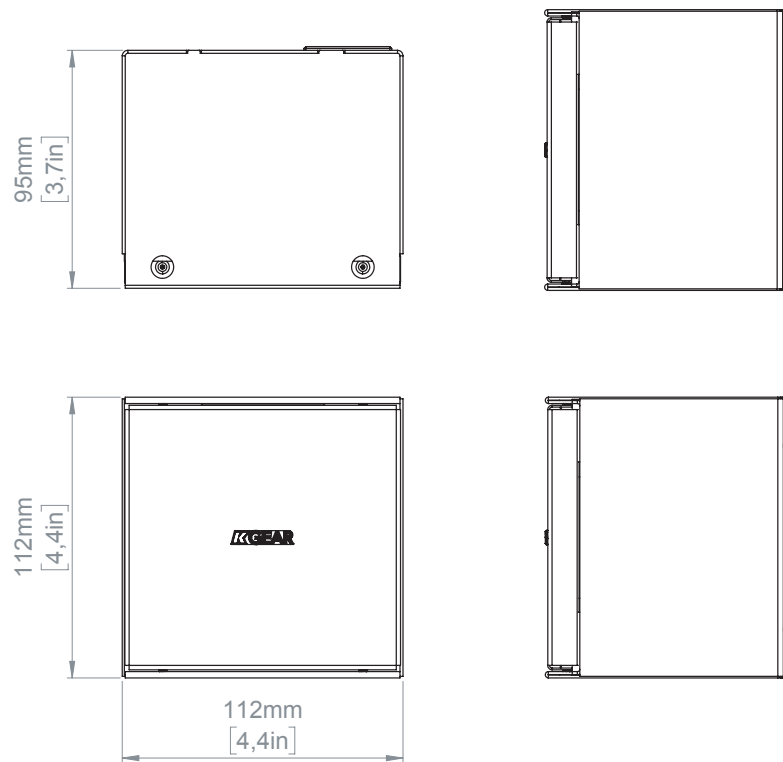
GH4 is a high performance ultra compact point source satellite that features a 4" full range driver with a dual coil neodymium magnet and variable impedance ($4\ \Omega - 16\ \Omega$). Thanks to the unique cabinet design, GH4's dispersion pattern guarantees a much lower emission on the back side of the speaker, improving sound control and preventing loss of energy. A robust stainless steel enclosure design with IP64 rating guarantees durability even in the worst conditions, obtainable when using the non-included accessory G-IPCAP1, ensuring durability and reliability.

GH4A is the active version of GH4, with 2x Phoenix connectors (4-pin Euroblock) hosting and a balanced line input, a mute contact and an auto ON-OFF switch with selectable thresholds, plus a power output to connect another KGEAR speaker or a passive subwoofer from KGEAR families and drive them with its on board amplifier, with a minimum load of $4\ \Omega$.

GH4 comes with the following accessories:
GF-WALL adjustable wall mount bracket.

More accessories can be purchased to array mounting and recessed installation (GH4-JOINT, GH4-FLY, GH4-RECESSED).

Mechanical Drawings GH4 - GH4A



Mounting Accessory - GF-WALL x GH4 (included)

GF-WALL is a wall-mounting bracket included in the package of GH4, perfect to use for easy and fast install of a single element. You can also choose to recess the speaker in-wall with the practical GH4-RECESSED flush mount box for this specific installation.

GF-WALL

GF-WALL x GH4



GH4-RECESSED



Mounting Accessories - GF-JOINT - GH-FLY for arraying configuration (recommended)

Using these accessories you can have a complete gear for array mounting GH4 in vertical, first joining multiple speakers together with GH4-JOINT, then setting different inclination and regulate the dispersion angle, thanks to GH-FLY adjustable bracket (this hardware supports up to 8 GH4 speakers in array configuration) You can choose GH4-WALL bracket to fix the array to walls. These accessories are not included in the package but are recommended for specific use.

G-IPCAP1 - (not included)

GH4 and GH4A can be protected against foreign agents, salt, chlorine and water using the G-IPCAP1. This is a dedicated IP sealing CAP made by highly resistant and tight rubber, thought to be mounted at the rear panel of the speaker to protect connectors

GH4-JOINT



GH4-FLY



GH4-WALL



GH4

Technical specifications	
Type	Passive loudspeaker
Transducer	4" neodymium magnet full range driver
Frequency Response ¹	150 Hz - 20 kHz (-6dB)
Max SPL ²	122 dB Peak
Power Handling	140 W
Coverage	V.90 H.90°
Connectors	1x Phoenix connector (4-pin Euroblock)
Nominal Impedance	4 Ω - 16 Ω selectable
IP Rating	IP64
Handling & Finishes	
Dimensions (WxLxH)	60 x 590 x 72 mm (2.36 x 23.22 x 2.83 in)
Weight	1,6 kg (2.87 lb)
Material	Stainless Steel
Color	Black

¹ With dedicated preset

² Maximum SPL is calculated using a signal with crest factor 4 (12 dB) measured at 8 m then scaled at 1 m

GH4A

Technical specifications	
Type	Active loudspeaker
Transducer	4" neodymium magnet full-range driver
Frequency Response ¹	150 Hz - 20 kHz (-6dB)
Max SPL ²	116 dB (peak)
Coverage	V.90 H.90°
Connectors	2x Phoenix connector (4-pin euroblock) Balanced line in Mute Contact Power out 24V DC IN (power supply not included)
Controllers	Auto ON/OFF with selectable threshold
Amp Module	1-channel Class D amplifier
Output Power	100W @ 2 Ω (24V power)
Power Consumption	30W Power Load 1/8 Max Power
Protections	Thermal Protections (Power-Limiting - Thermal Shutdown) Short - circuit/overload output protections
Operating Range	12-24 VDC
IP Rating	IP64
Handling & Finishes	
Dimensions (WxLxH)	60 x 590 x 72 mm (2.36 x 23.22 x 2.83 in)
Weight	1,6 kg (2.87 lb)
Material	Stainless Steel
Color	Black

¹ With dedicated preset

² Maximum SPL is calculated using a signal with crest factor 4 (12 dB) measured at 8 m then scaled at 1 m